

Figure 1. Frequency of ASE by year.

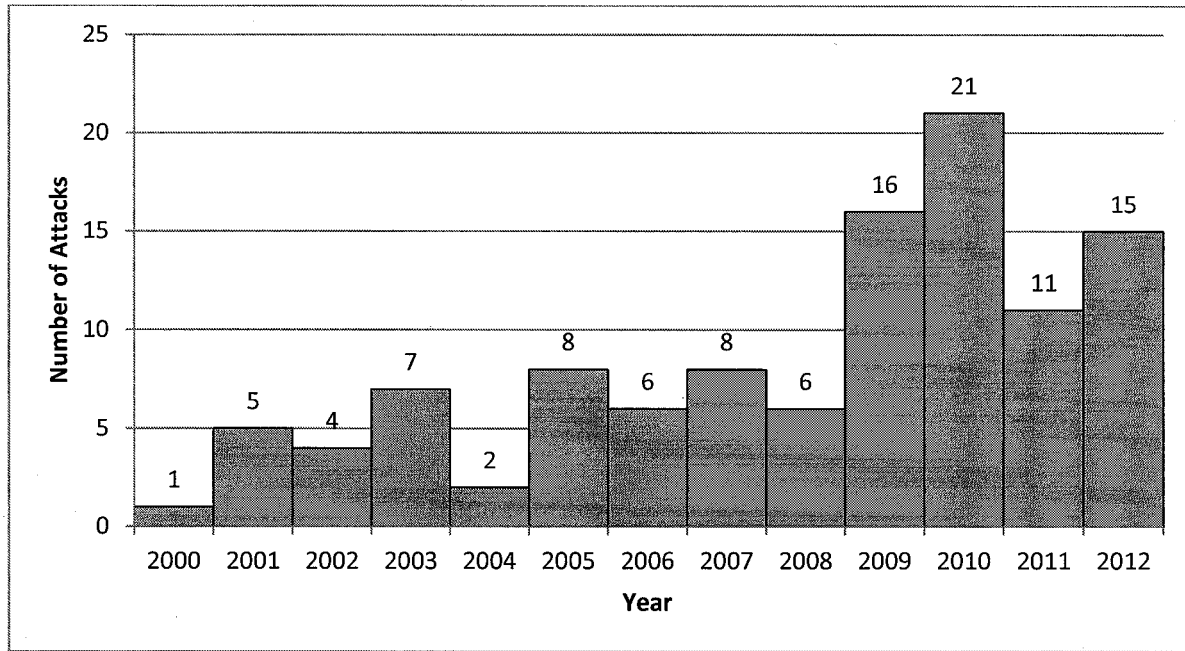


Figure 17. Resolution of Active Shooter Events in the U.S. (2000-2010)

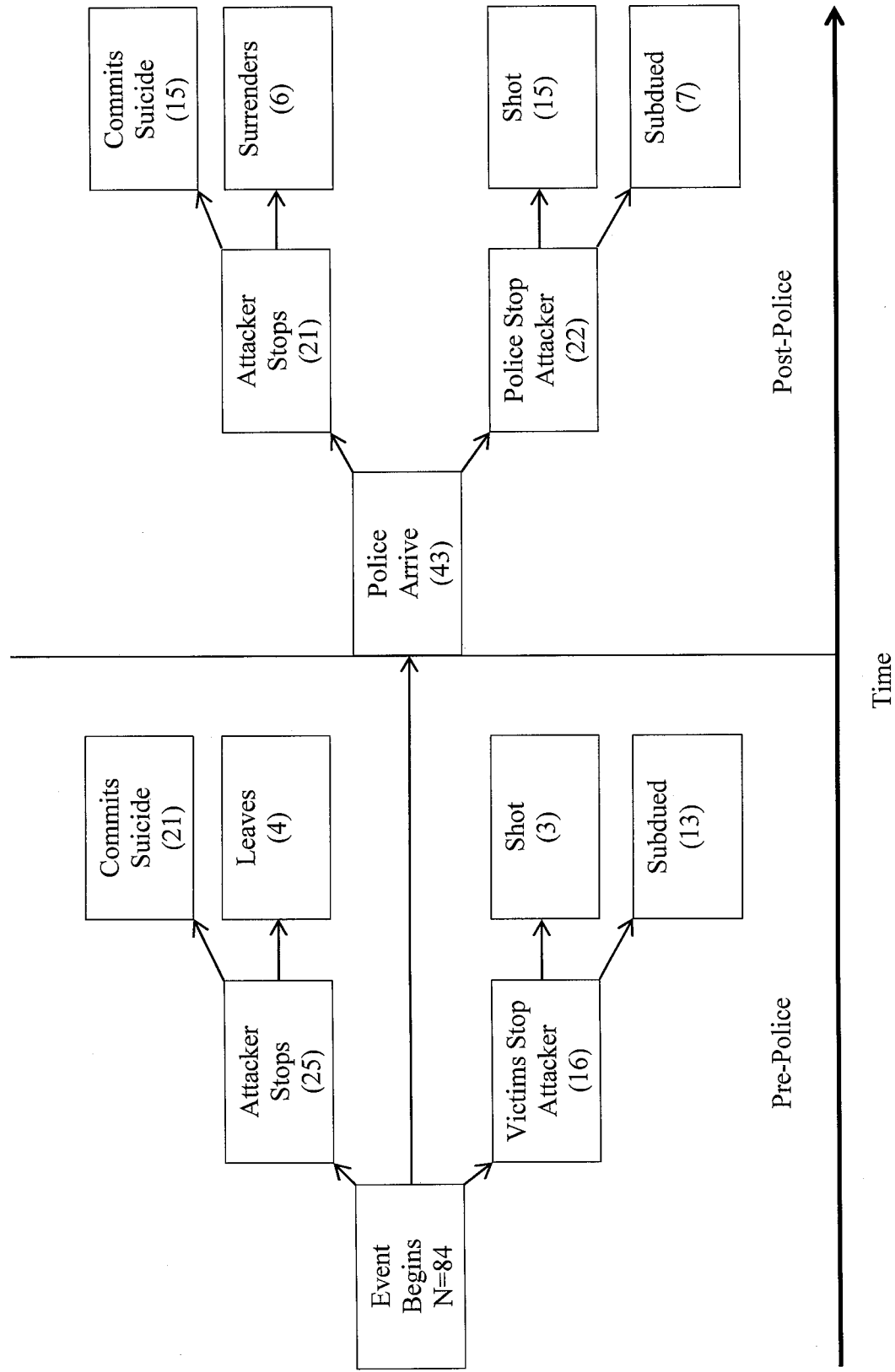
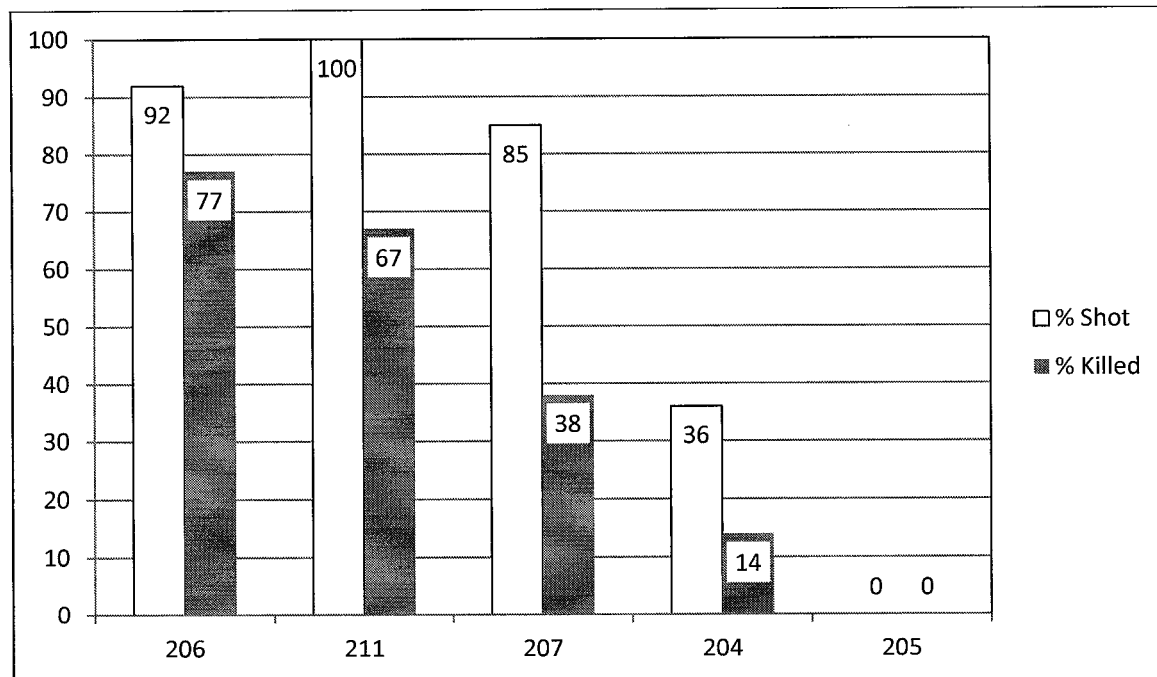


Figure 4. Number of people shot and killed at Virginia Tech.



206 – No action

211 – Failed Denial (student desks) and Failed Defend (Matthew LaPorte by himself)

207 – Late Denial

204 – Failed Denial (Librescu) and Avoid (jumping out windows)

205 – Successful Denial (large teacher's desk held in place by occupants)